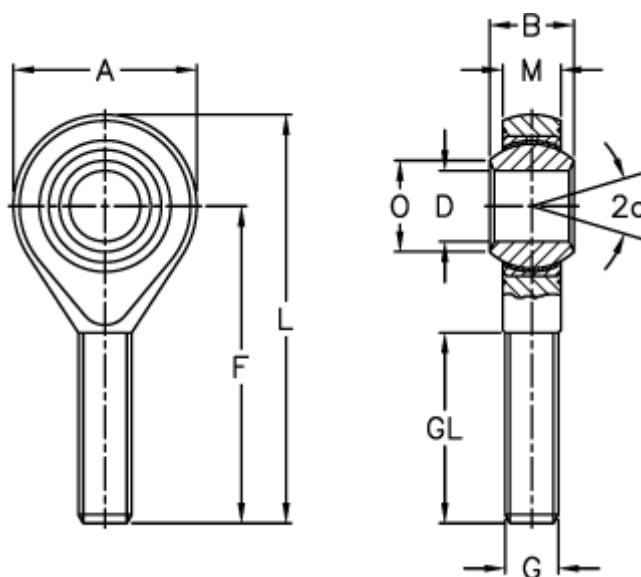


Article number: 03022010125

Description: Fluro Rod End GARSW 10 10x1,25-RR  
Stainless steel complete

## Measures



A	= 28	L	= 62
a (degrees)	= 13	M	= 10.5
B	= 14	O	= 12.9
D	= 10	Permissible rpm	= 350
Dynamic load C (kN)	= 23.4	Static load C0 (kN)	= 25.5
F	= 48	Weight (g)	= 56
g	= M10x1,25		
GL	= 29		